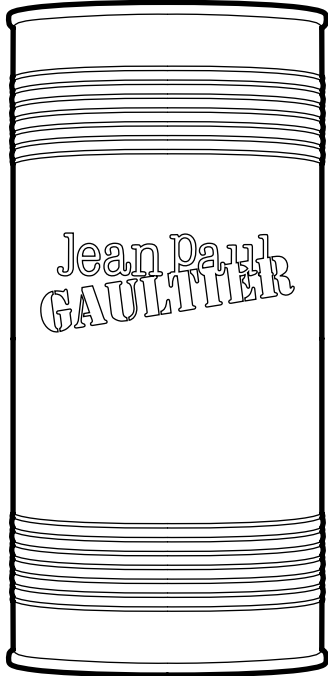


# PLANT POT

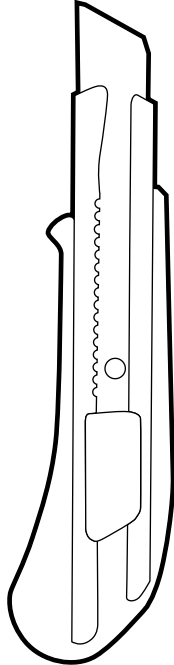


Jean Paul  
**GAULTIER**

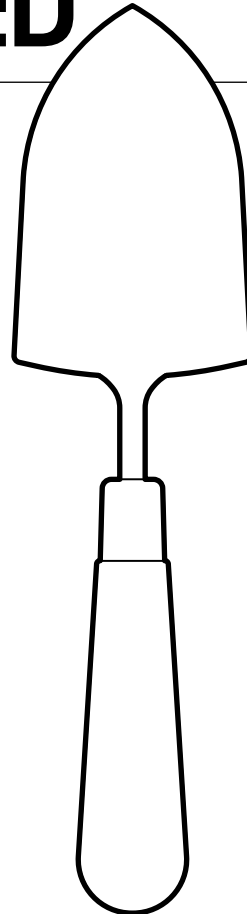
# WHAT YOU WILL NEED



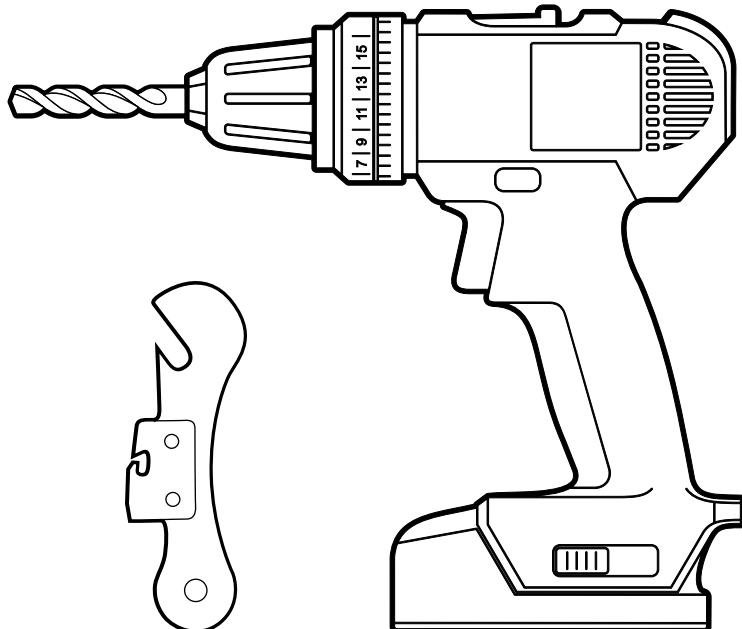
Can



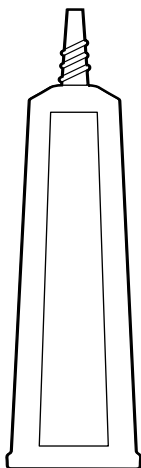
Box cutter



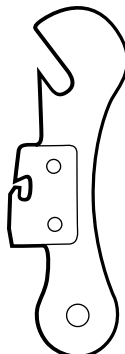
Spade



Drill



Neoprene contact glue\*



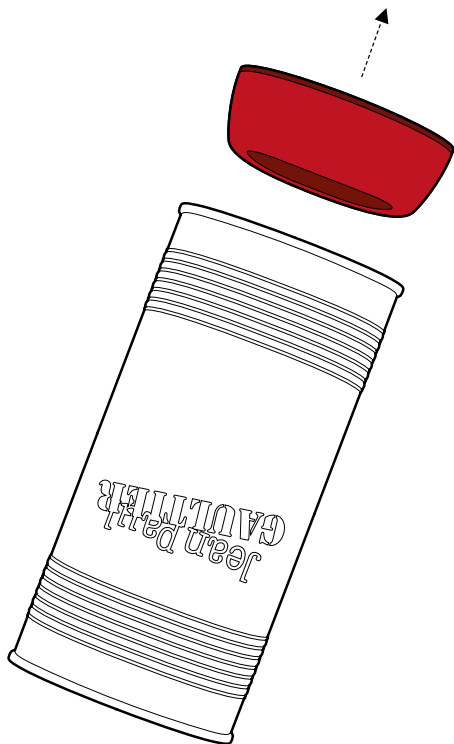
Tin opener

\*Moisture resistant and ideal for metal.

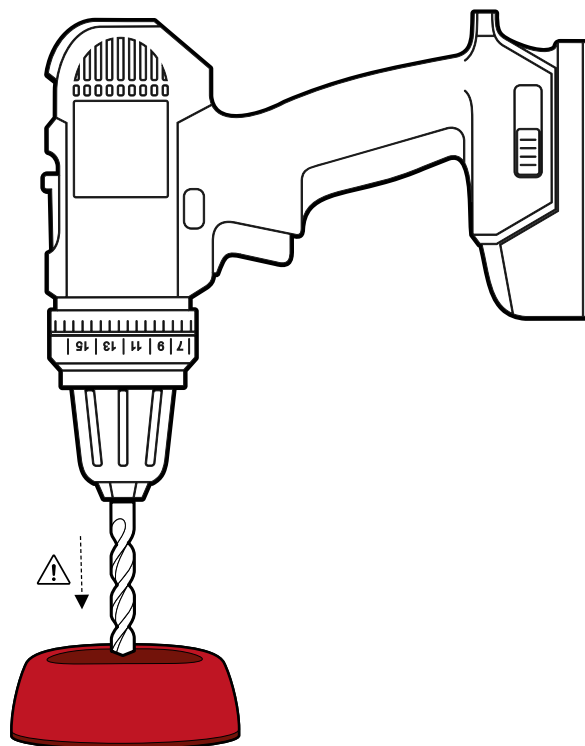
The methods for recycling our fragrance cans are recommendations only; please use all tools and materials safely. Take all necessary safety precautions and follow all the instructions for use of the suggested tools

and materials. Jean Paul Gaultier declines all liability for damages that may result from following these tutorials and/or the use of the recommended materials/tools.

**1** Remove the red base.

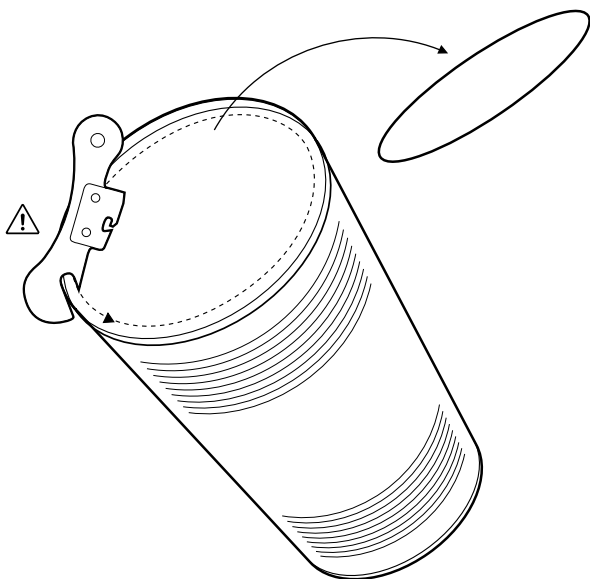


**2** Drill three holes to allow excess water to drain away.

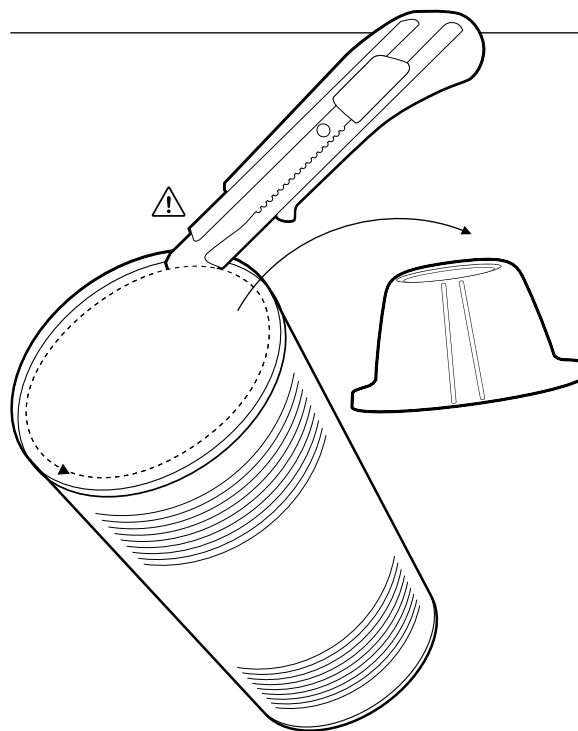


⚠ Be careful. Operating a drill can be dangerous.

**3** Open the top of the can with the tin opener.



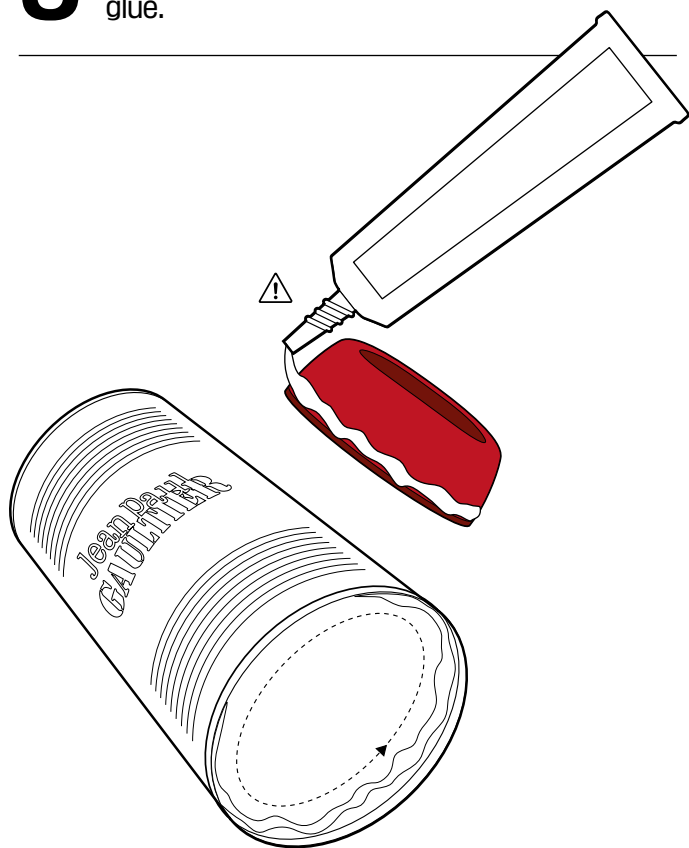
**4** Using the box cutter, carefully cut around the metal edge of the top of the can.



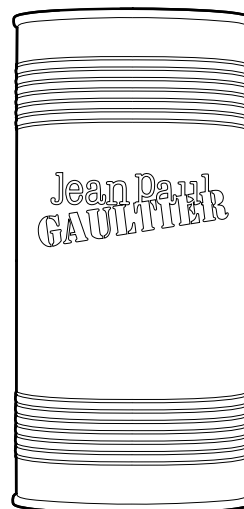
⚠ Be careful. Operating a cutter can be dangerous.

⚠ Be careful, using a tin opener/box cutter can be dangerous.

**5** Generously coat the edges of the base and the inside of the can with the neoprene\* contact glue.

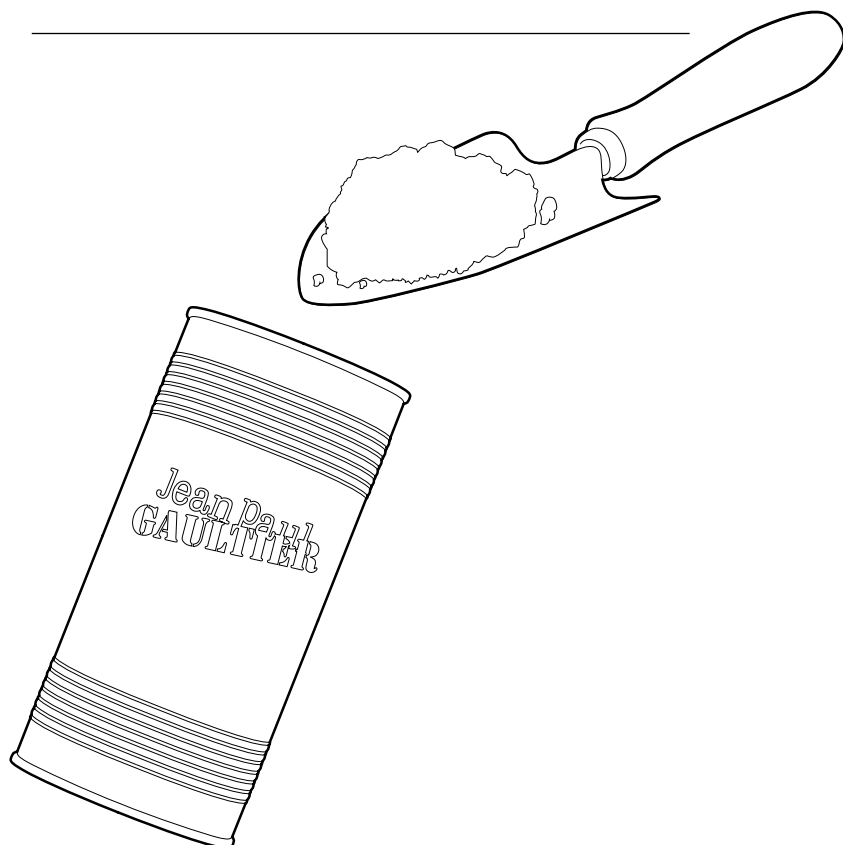


**6** After a few minutes, firmly attach the can onto the base and leave the glue to set for an hour or two.



 \*Moisture resistant and ideal for metal.

**7** Fill the can with soil and plant up.



**8** Your new plant pot is ready to use!

