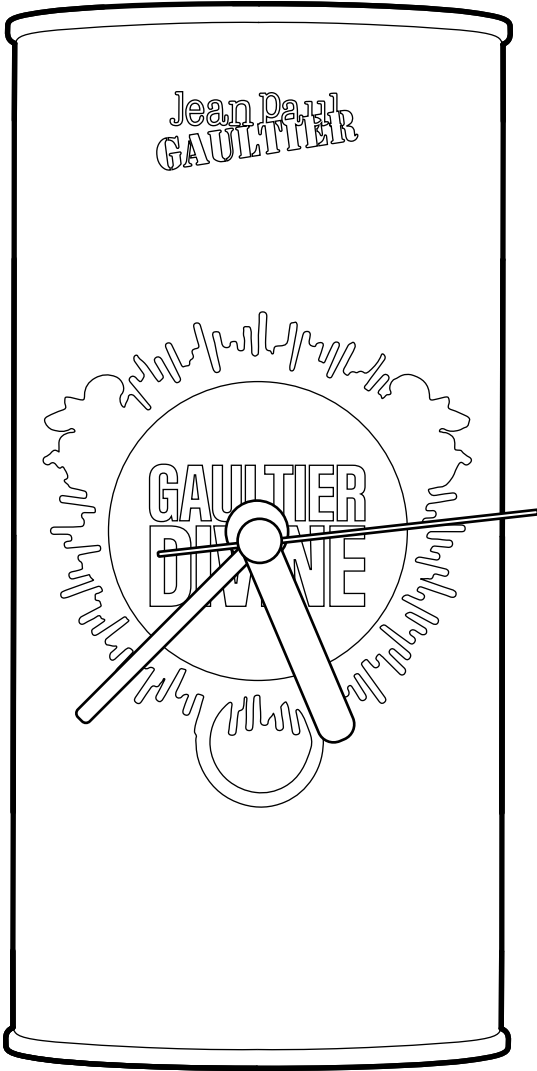
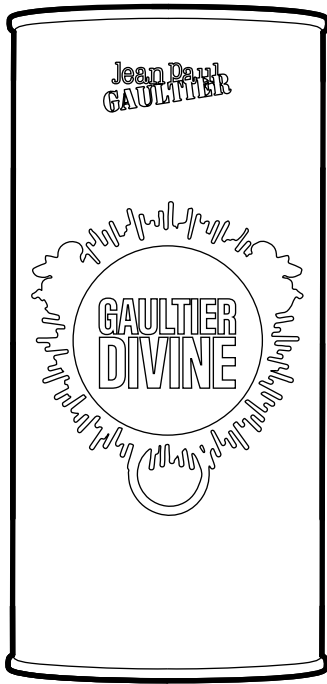


# CLOCK

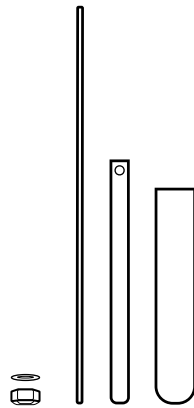


Jean Paul  
**GAULTIER**

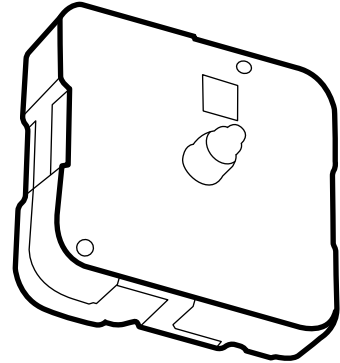
# WHAT YOU WILL NEED



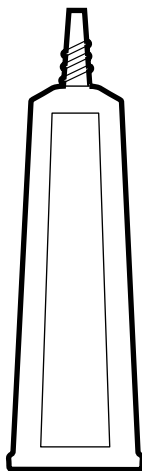
Can



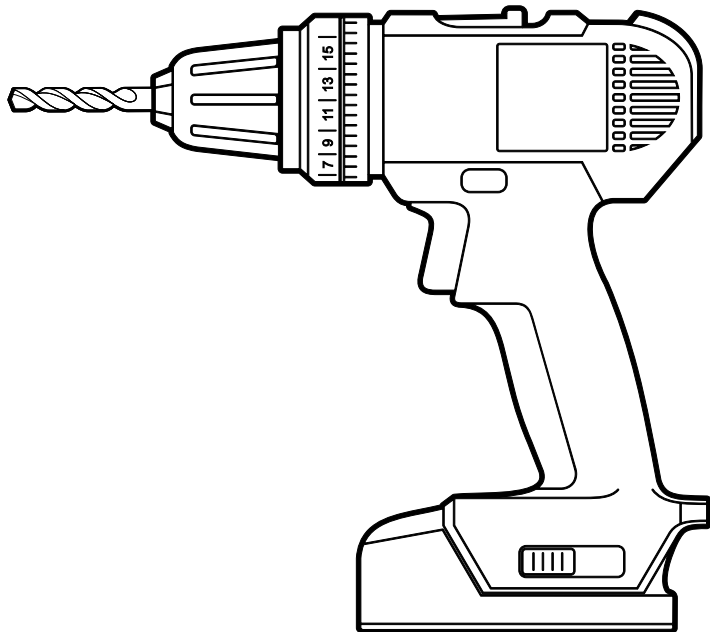
Bolts and hands



Clock mechanism  
(maximum length of 1.9 inches)



Neoprene contact adhesive



Drill

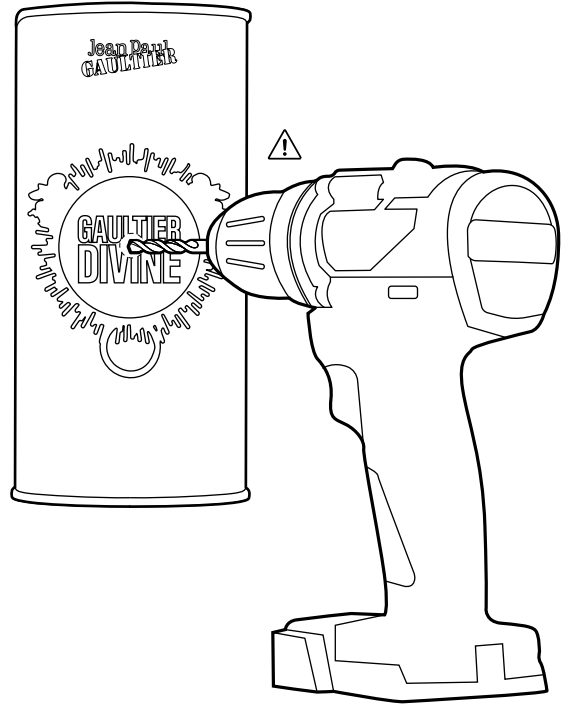
The methods for recycling our fragrance cans are recommendations only; please use all tools and materials safely. Take all necessary safety precautions and follow all the instructions for use of the suggested tools and materials.

Jean Paul Gaultier declines all liability for damages that may result from following these tutorials and/or the use of the recommended materials/tools.

**1** Remove the red base.

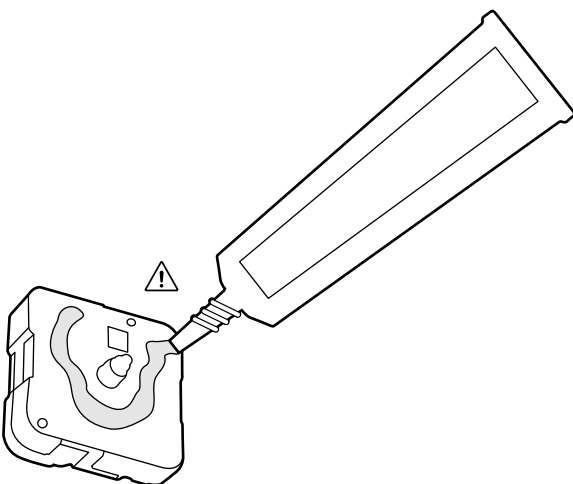


**2** Drill a hole in the center of the box.

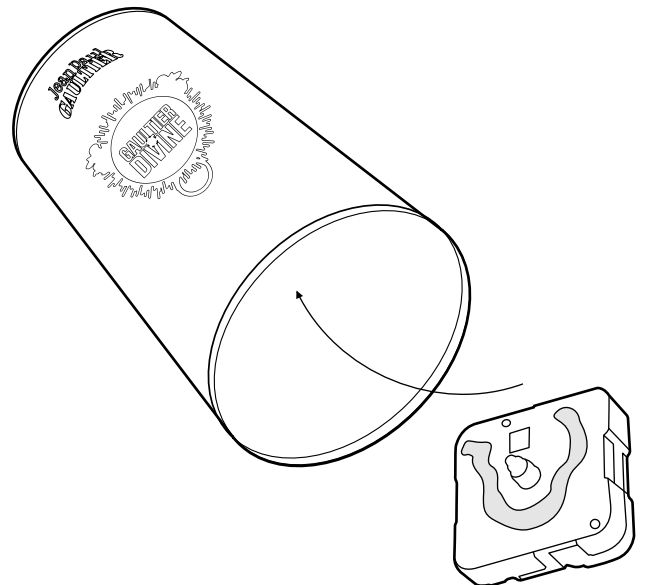


⚠ Be careful. Operating a drill can be dangerous.

**3** Apply a generous amount of neoprene adhesive to the clock mechanism to secure it inside the box.

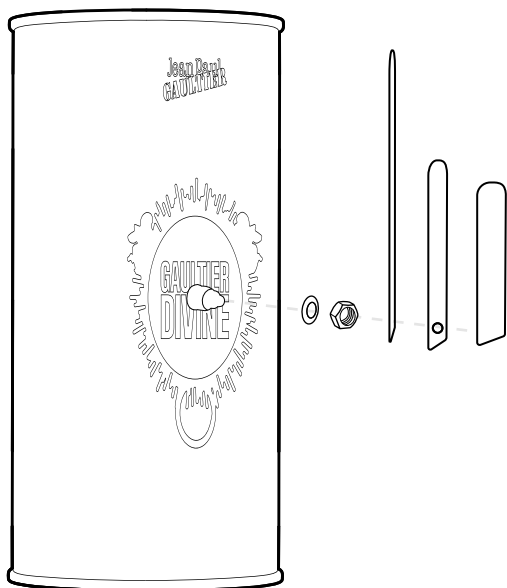


**4** Carefully insert the clock mechanism into the hole from the bottom up.



\*Moisture resistant and ideal for metal.  
Handling adhesives can be dangerous.

**5** Once the adhesive has dried, insert the bolt first, then the second hand, the minute hand and finally the hour hand.



**6** Your clock is ready!

