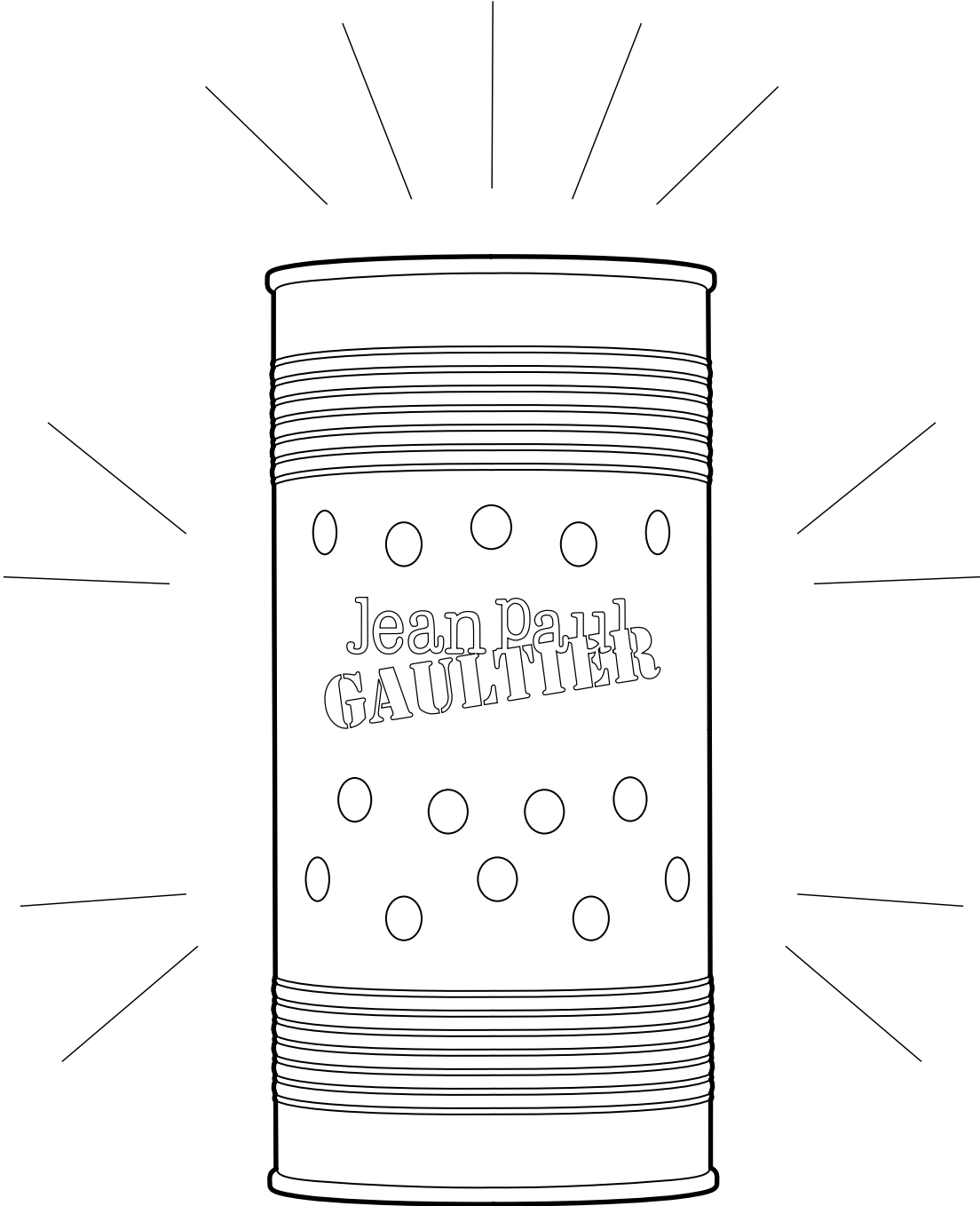
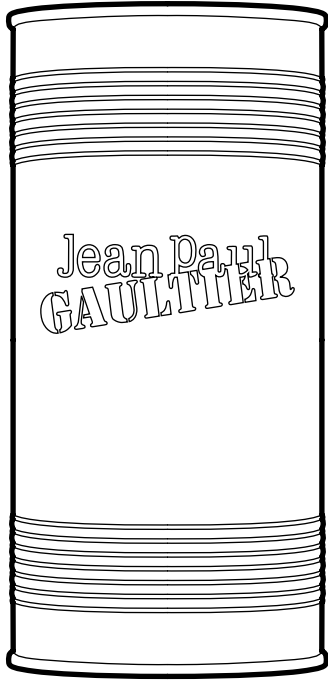


CANDLE HOLDER

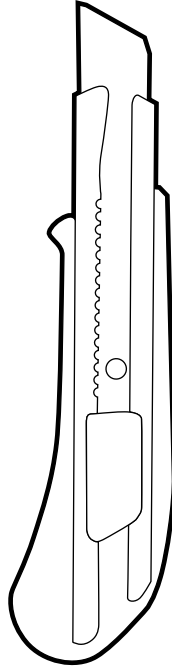


Jean Paul
GAULTIER

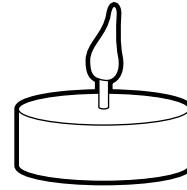
WHAT YOU WILL NEED



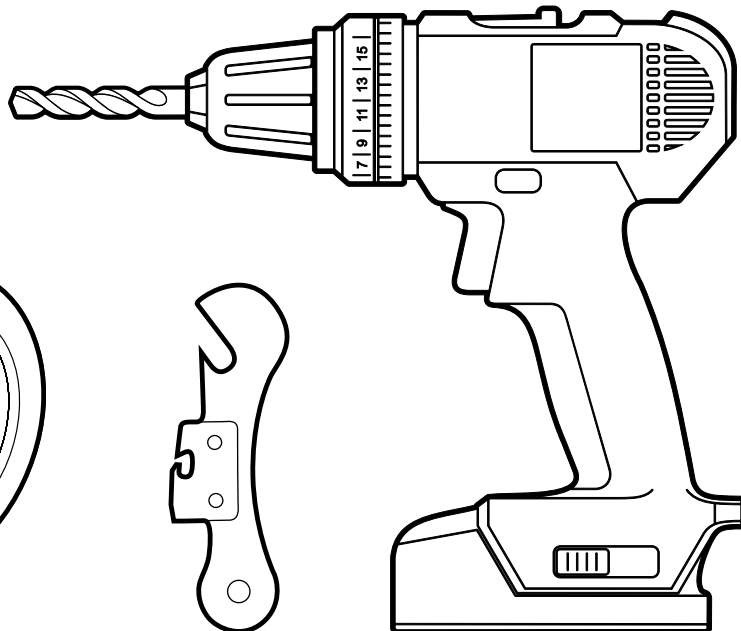
Can



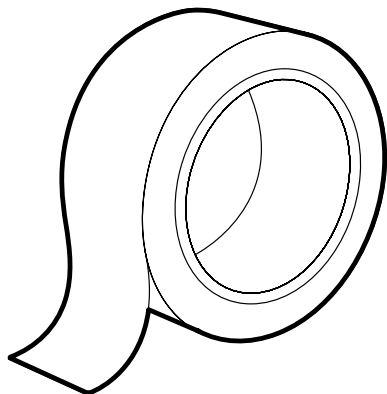
Cutter



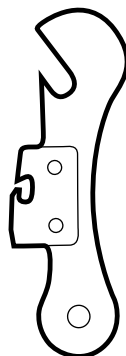
Bougie LED



Drill



Double-sided sticky tape

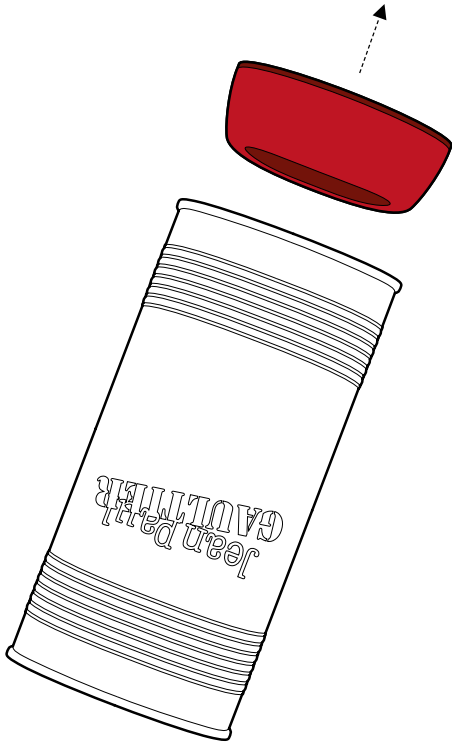


Tin opener

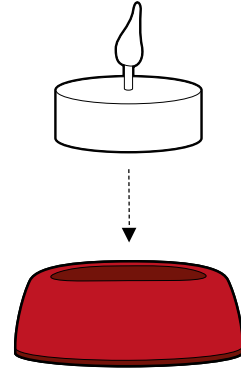
The methods for recycling our fragrance cans are recommendations only; please use all tools and materials safely. Take all necessary safety precautions and follow all the instructions for use of the suggested tools

and materials. Jean Paul Gaultier declines all liability for damages that may result from following these tutorials and/or the use of the recommended materials/tools.

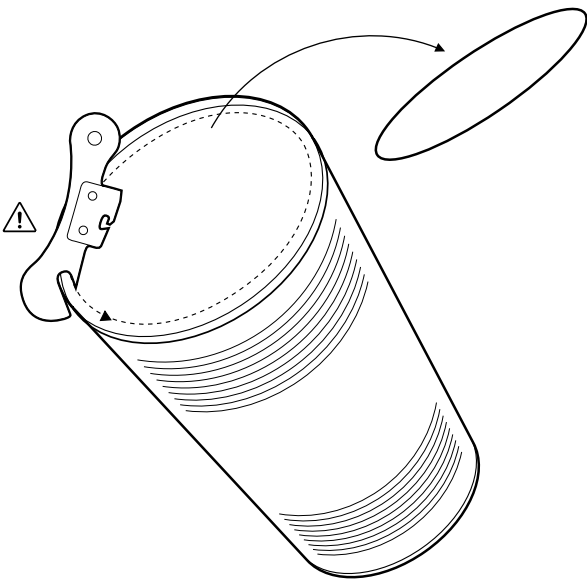
1 Remove the red base.



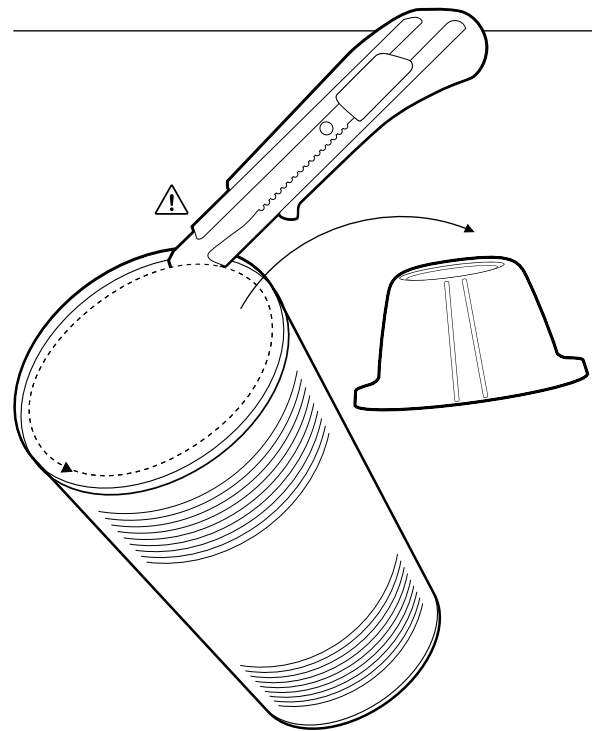
2 Insert the candle in the red base. Fix the LED candle into the red base using the double-sided sticky tape.



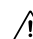
3 Open the top of the can with the tin opener.



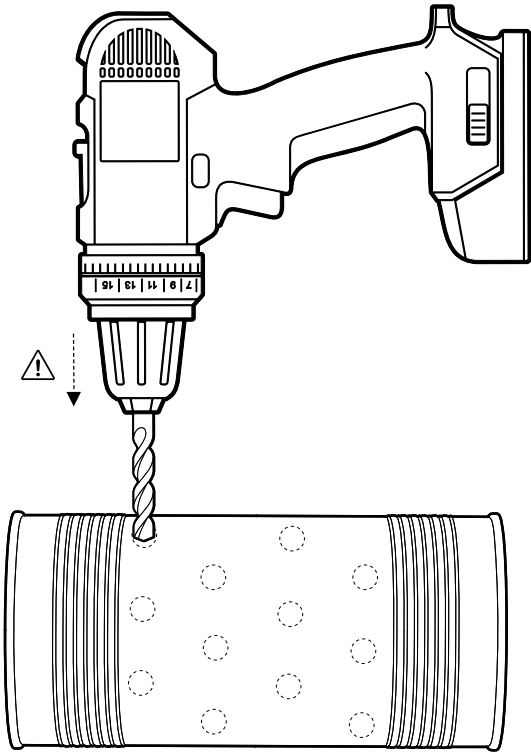
4 Using the box cutter, carefully cut around the metal edge of the top of the can.




 Be careful, using a tin opener/box cutter can be dangerous.

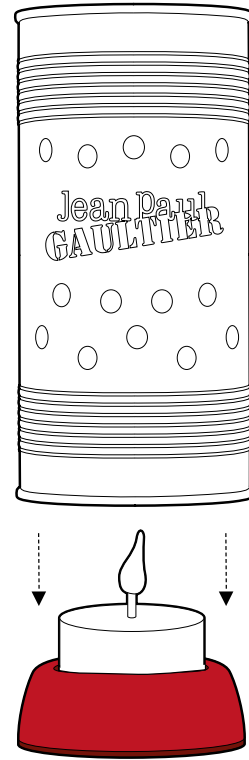
 Be careful. Operating a cutter can be dangerous.

5 Carefully drill a hole in the can using a drill bit designed for aluminium.



 Be careful. Operating a drill can be dangerous.

6 Place the can on the base with the candle.



7 Your candle holder is now ready to use.

