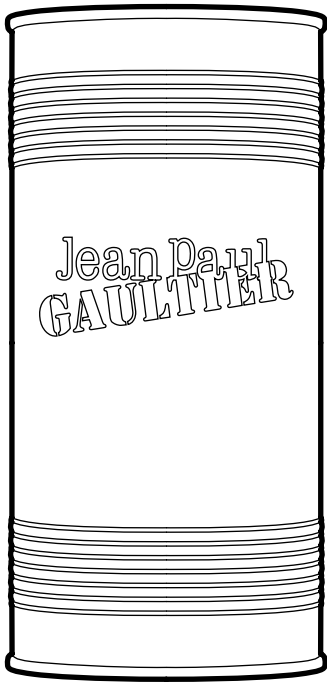


LAMP

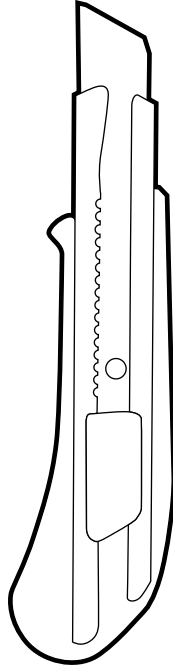


Jean Paul
GAULTIER

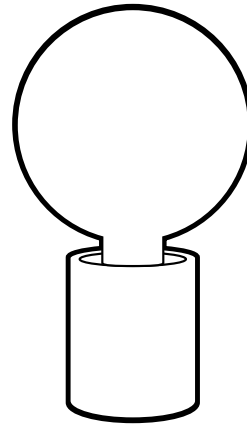
WHAT YOU WILL NEED



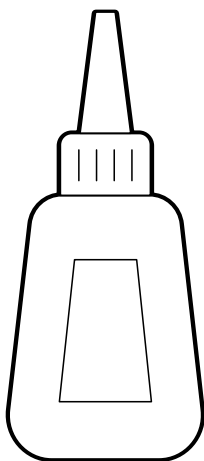
Can



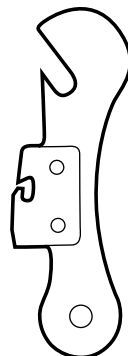
Box cutter



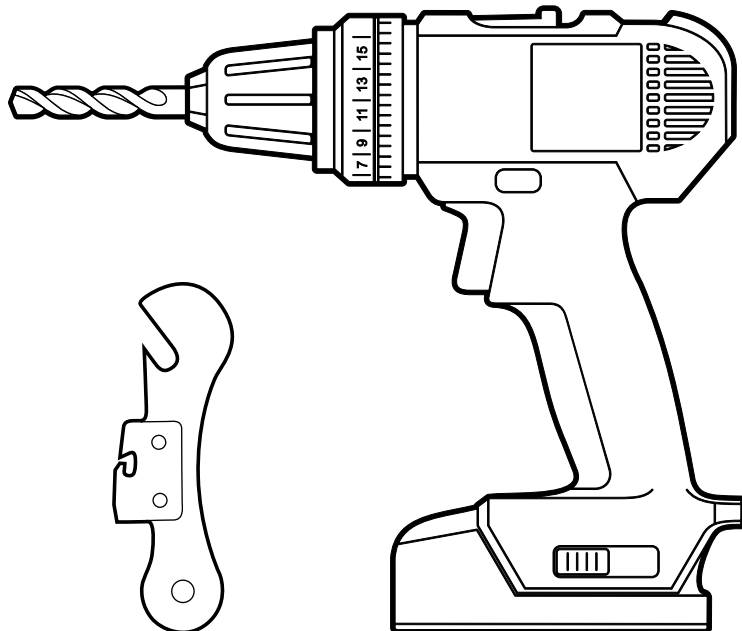
LED bulb (E14 12W)
and cable



Liquid glue

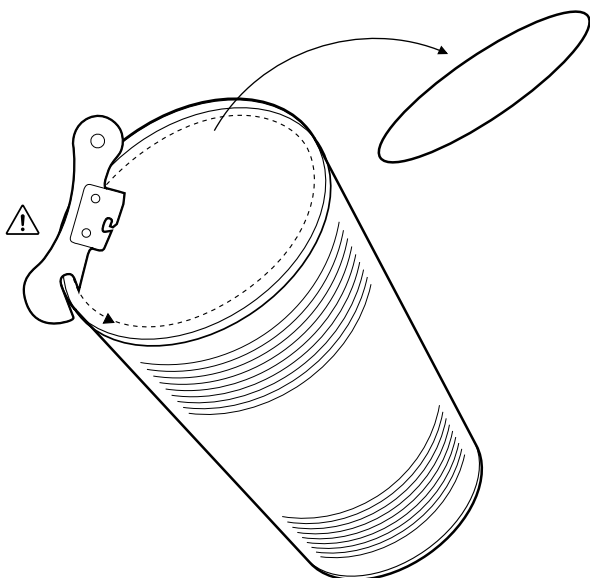


Tin opener



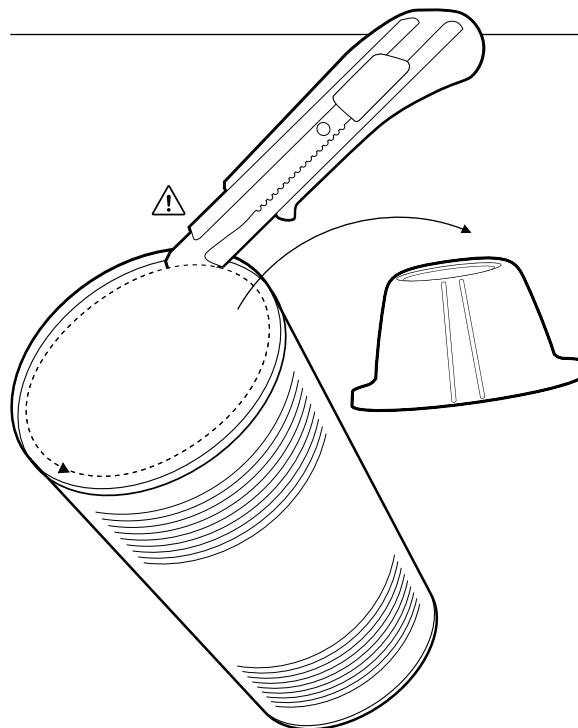
Drill

- 1** Open the top of the can with the tin opener.



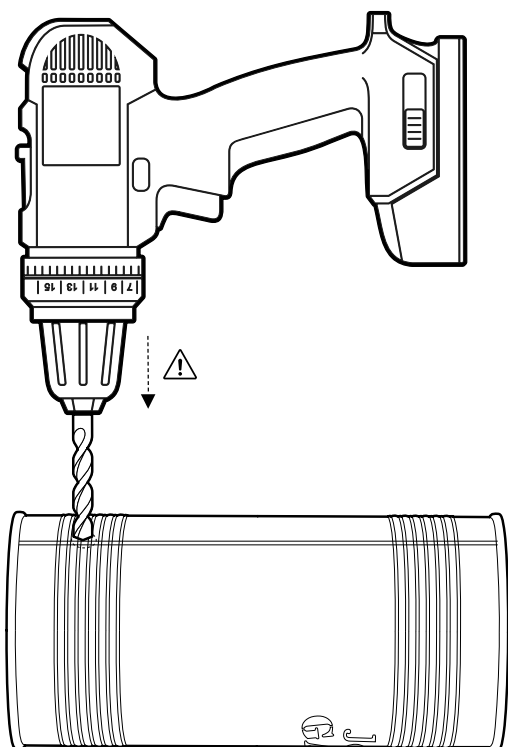
⚠ Be careful, using a tin opener/box cutter can be dangerous.

- 2** Using the box cutter, carefully cut around the metal edge of the top of the can.



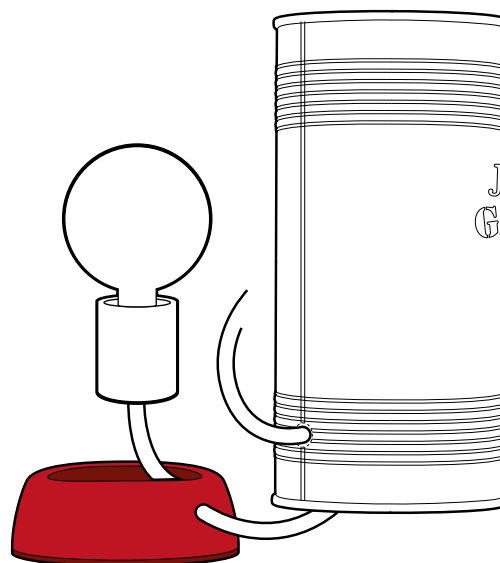
⚠ Be careful. Operating a cutter can be dangerous.

- 3** Feed in the wick about 2 cm and carefully drill a hole in the can on the opposite side of the logo. Important! Only drill through one side of the can and the base.



⚠ Be careful. Operating a drill can be dangerous.

- 4** Wire and drop the lamp socket through the base and the can.



5 Put some glue in the middle of the base in order to fix the lamp socket in place.



6 Place the can on the base with the bulb.



7 That's it! You're all set.

